



# Euro Mortise Lockset



Passage



Storeroom



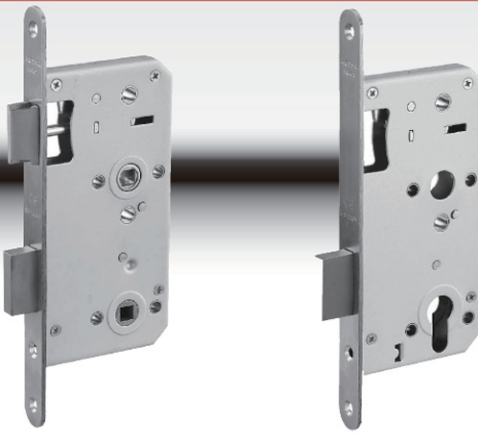
Deadlock



Room



Room (narrow)



BSI **Euro Mortise Locks** consists the range of comprehensive functions that meet most security and locking application.

### Standards

EN 12209:2003/AC2005 **3** M 5 1 0 F 2 B C 1 0

EN 1634-1:2014+A1:2018

EN 1363-1:2012

Dangerous substance: None

### Standard Finishes

Satin Stainless Steel - SSS



### Application

BSI Euro Mortise Lock series is favorable for metal, fire doors and wood doors. The innovative and a non handed mechanism is extremely easy to install and suitable for new and retrofit applications.

### Door Thickness

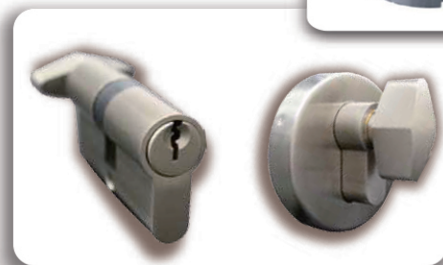
Door thickness from 30mm to 50mm, provided with the standard screw pack. Extended screw pack is also available for extra length.

### Fixing / Pitching

Euro Profile mortise lock suits  
72mm / 78mm pitching Mortise Locksets.

### Materials

Latch Bolt, Deadbolt, Faceplate are all made of Stainless Steel.



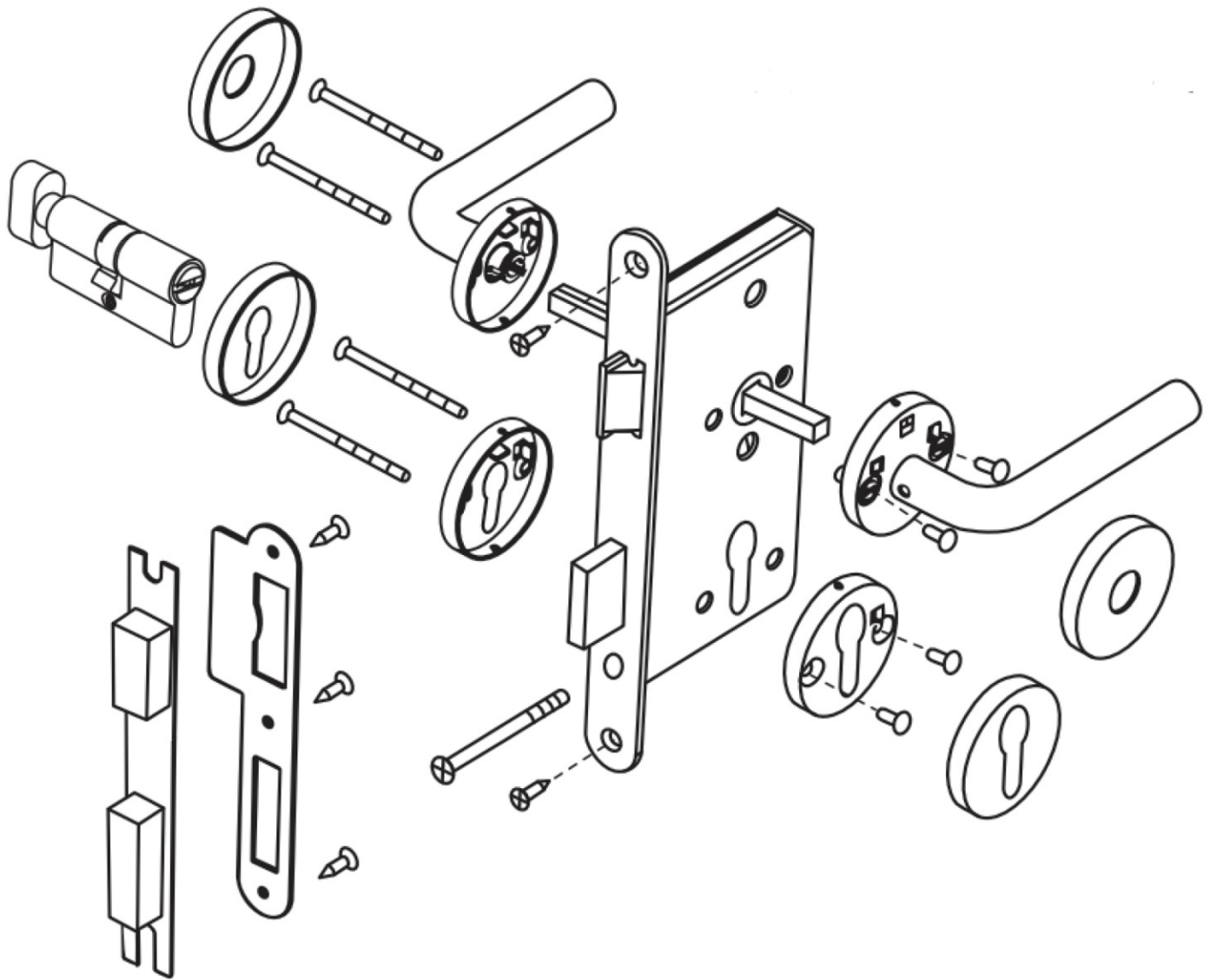
### Strength & Durability

Euro profile mortise lock made from quality materials, 200,000 operation cycles has been tested.

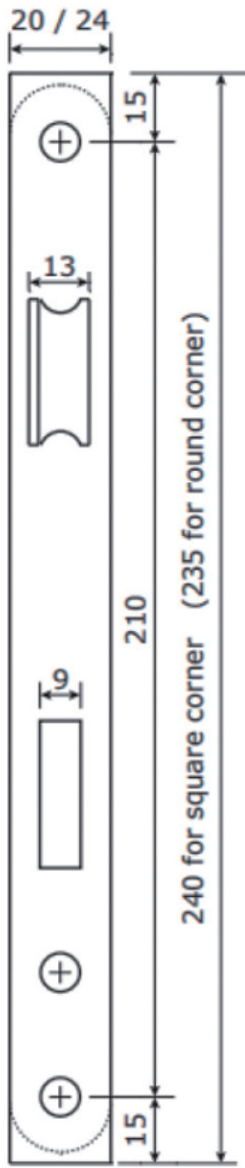
### Keying

Standard Euro Profile Cylinders and key system is selectable.

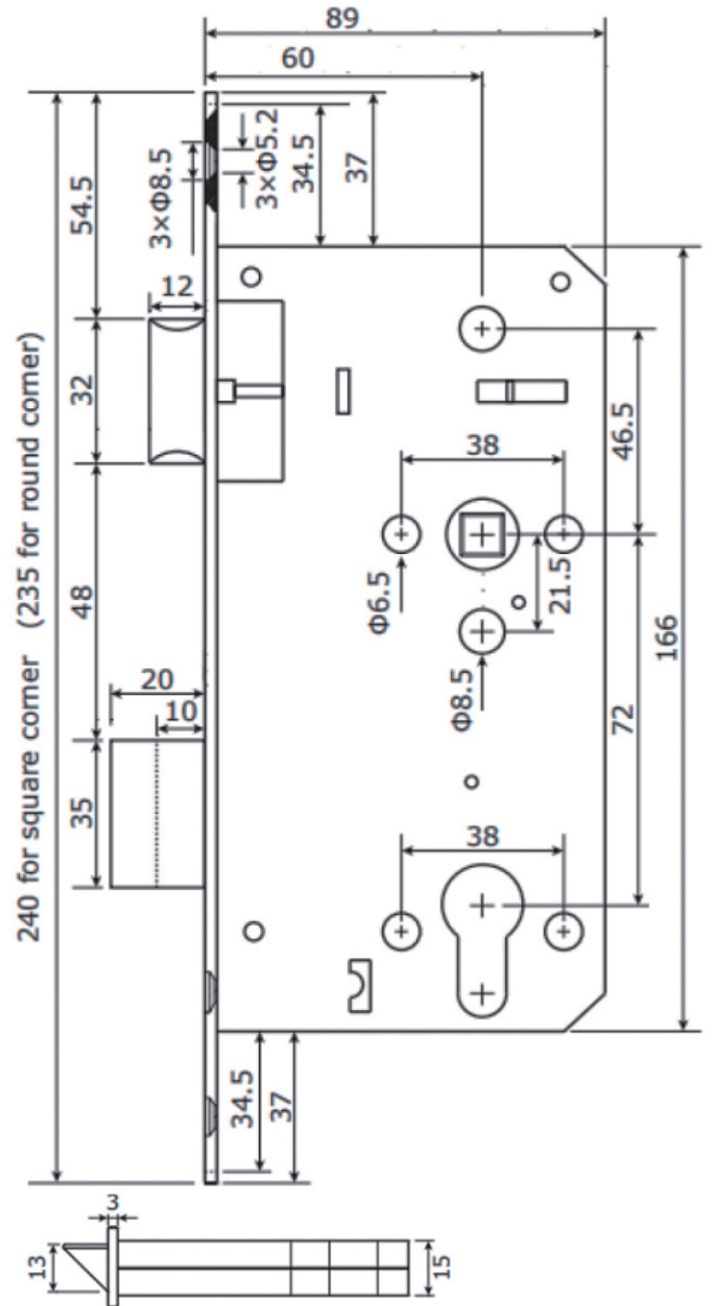
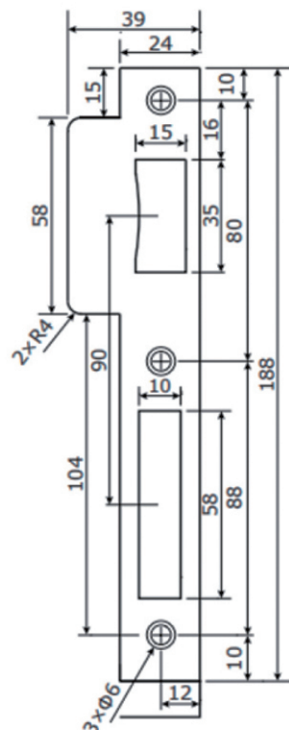
Installation of Mortise Lockset



Dimension Chart



(Unit: mm)



Strike plate thickness: 2.0mm

Lock Function



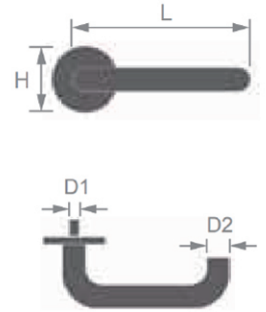
Model No.	Function	Diagram	Description	Strike & Mortise
MT6901	Passage or Closet Lock		<ul style="list-style-type: none"> <li>Latch bolt retracted by lever from either side at all times.</li> </ul>	
MT6907	Storeroom or Closet Lock		<ul style="list-style-type: none"> <li>Latch bolt retracted by key outside or by lever inside.</li> <li>Outside lever is always inoperative.</li> <li>Auxiliary latch deadlocks latch bolt when door is closed.</li> </ul>	
MT6916	Deadlock		<ul style="list-style-type: none"> <li>Dead bolt operated by key from either side.</li> </ul>	
MT6921	Room Door Lock		<ul style="list-style-type: none"> <li>Latch bolt retracted by lever from either side.</li> <li>Dead bolt projected or retracted by key outside or thumbturn inside.</li> </ul>	
MT6921-30	Room Door Lock (narrow)		<ul style="list-style-type: none"> <li>Latch bolt retracted by lever from either side.</li> <li>Dead bolt projected or retracted by key outside or thumbturn inside.</li> </ul>	

**Solid S.S. Lever Handle**

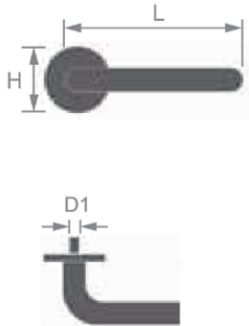
**LH101**



Size	mm	inch
L	140	5.511
H	53	2.08
D1	8	0.31
D2	19	0.75



**LH101-L**



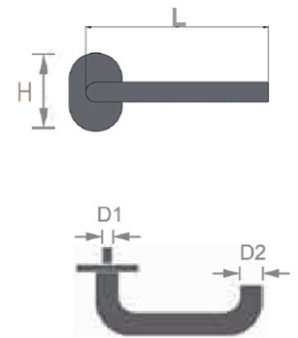
Size	mm	inch
L	135	5.31
H	53	2.088
D1	8	0.31
D2	19	0.75



**LH101-OVAL**



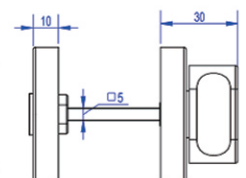
Size	mm	inch
L	140	5.511
H	63	2.48
D1	8	0.31
D2	19	0.75



**IND001SS**

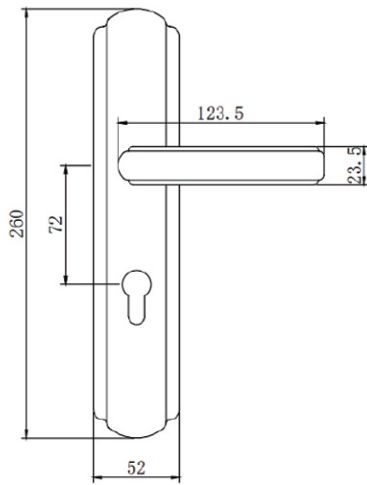
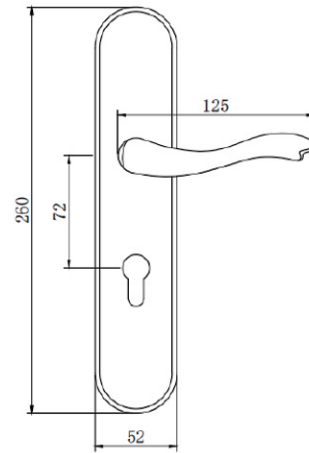


Size	Φ53mm × 10mm
Finish	Satin Stainless Steel
Material	Stainless Steel



**EL7201**

Size	52mm x 260mm
Finish	Satin Stainless Steel
Material	Stainless Steel

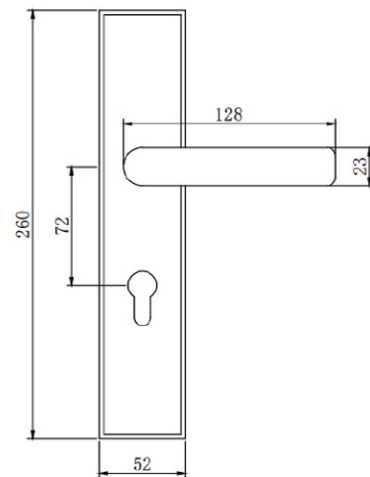


**EL7202**

Size	52mm x 260mm
Finish	Satin Stainless Steel
Material	Stainless Steel

**EL7203**

Size	52mm x 260mm
Finish	Satin Stainless Steel
Material	Stainless Steel





**BSI Security Co., Ltd**

✉ [sales@bsi-hardware.com](mailto:sales@bsi-hardware.com)

🌐 [www.bsi-hardware.com](http://www.bsi-hardware.com)